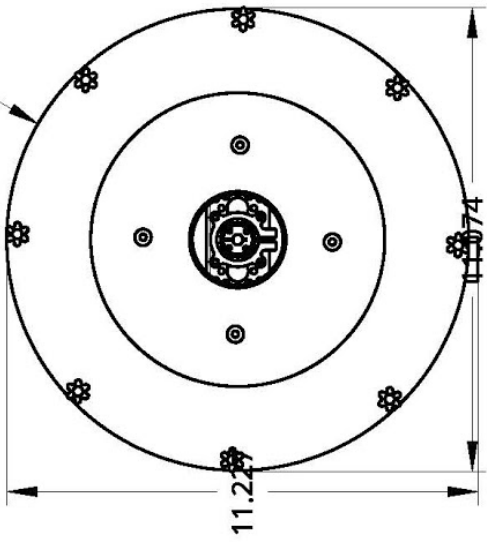
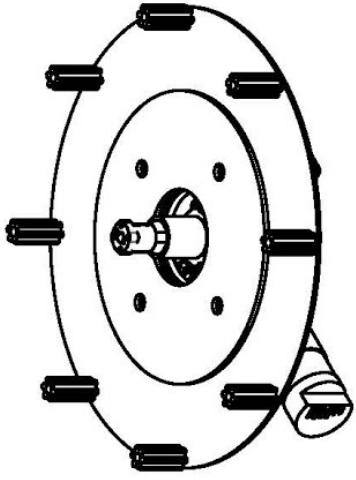


R5.500

2

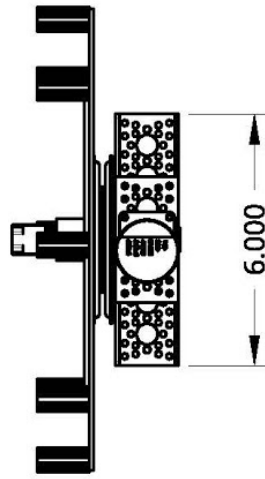
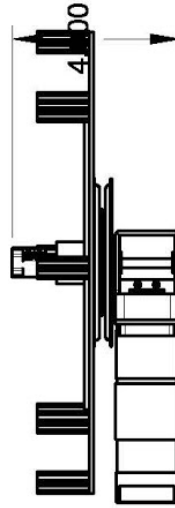


1



B

A



A

UNLESS OTHERWISE SPECIFIED, DIMENSIONS ARE IN INCHES .XX = ±.01- ANGULAR = ±° .XXX = ±.001- FRACTIONAL = ± .XXXX = ±.000- SURFACE FINISH ✓		DRAWN	NAME	DATE	TITLE
CHECKED	DREW BUSCH	11/07/2019		Turret	
APPROVED					
MATERIAL	FINISH	SIZE	DWG NO.	REV.	
		A		RevRob-3	
DO NOT SCALE DRAWING BREAK ALL SHARP EDGES AND REMOVE BURRS	THIRD ANGLE PROJECTION	SCALE	WEIGHT	SHEET	
		1:4	1	1 of 1	

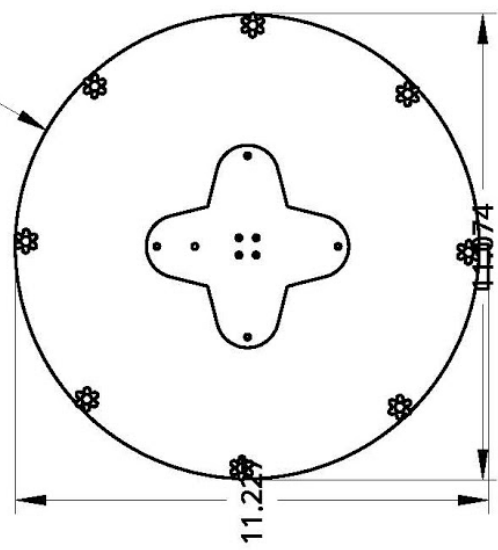
2

1

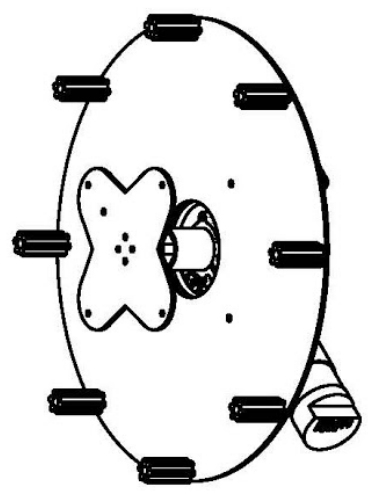
1

2

R5.500

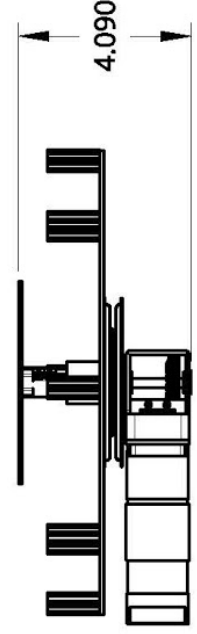


B

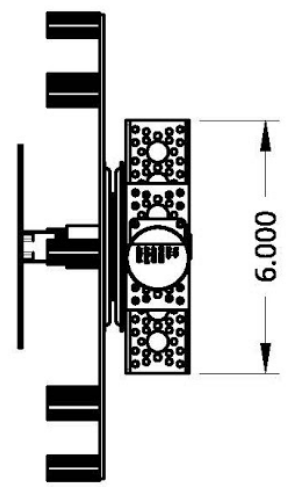


B

A



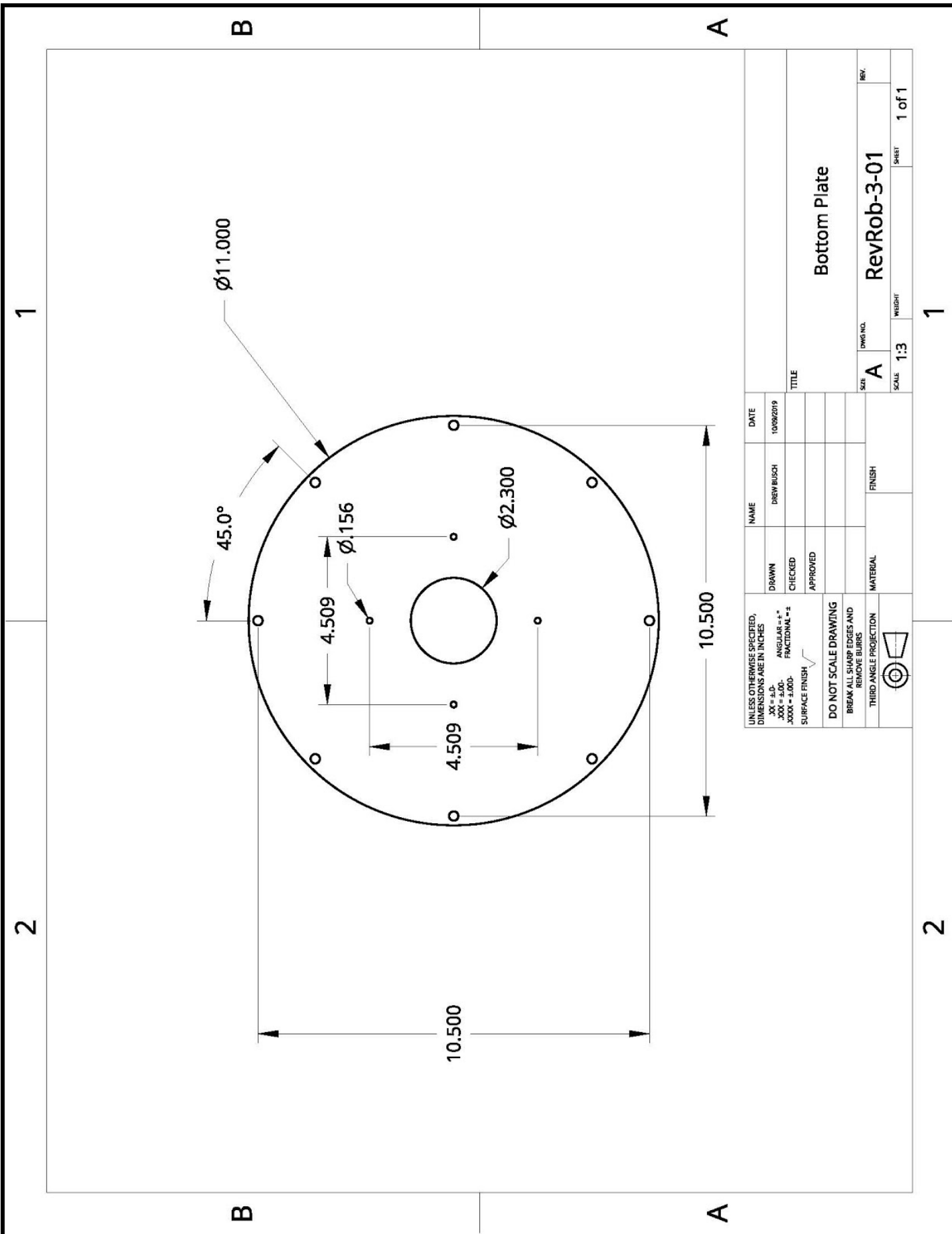
A



UNLESS OTHERWISE SPECIFIED, DIMENSIONS ARE IN INCHES		NAME	DATE
XX = 0.001	ANGULAR = ±°	DREW BUSCHI	11/07/2019
XXX = ±.001	FRACTIONAL = ±	CHECKED	
XXXX = ±.0005		APPROVED	
SURFACE FINISH		TITLE	
DO NOT SCALE DRAWING		Turret	
BREAK ALL SHARP EDGES AND REMOVE BURRS		REV.	
THIRD ANGLE PROJECTION		SIZE	DWG NO.
		A	RevRob-3.V2
		SCALE	WEIGHT
		1:4	1 of 1

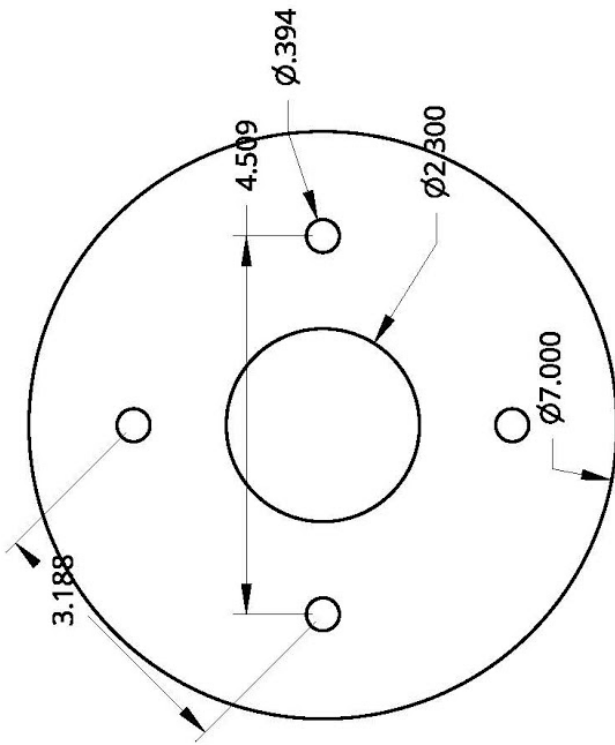
1

2



1

2

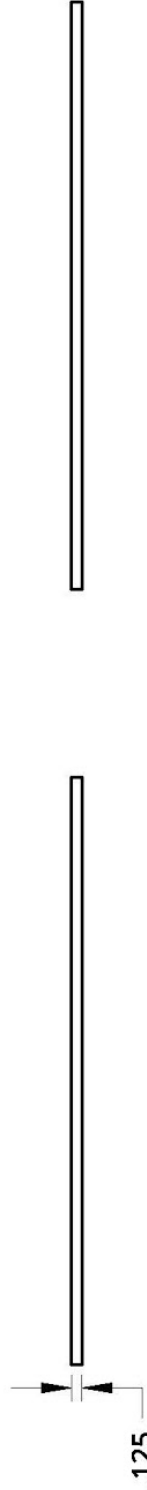


B

B

A

A



UNLESS OTHERWISE SPECIFIED, DIMENSIONS ARE IN INCHES .XX = ±.01- .XXX = ±.001- .XXXX = ±.0001- ANGULAR = ±° FRACTIONAL = ±		DRAWN	NAME	DATE	TITLE
CHECKED	DREW BUSCH	11/07/2019		Hex Head Guard	
APPROVED					
DO NOT SCALE DRAWING BREAK ALL SHARP EDGES AND REMOVE BURRS		MATERIAL		FINISH	
THIRD ANGLE PROJECTION		MATERIAL		FINISH	
		MATERIAL		FINISH	
SIZE	DWG NO.	SCALE	WEIGHT	SHEET	
A		1:2		1 of 1	
		REV.			
		RevRob-3-02			

1

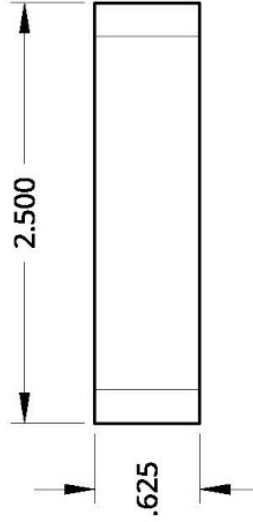
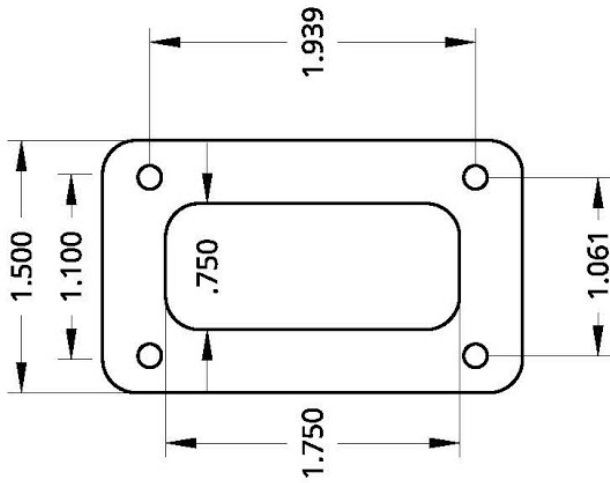
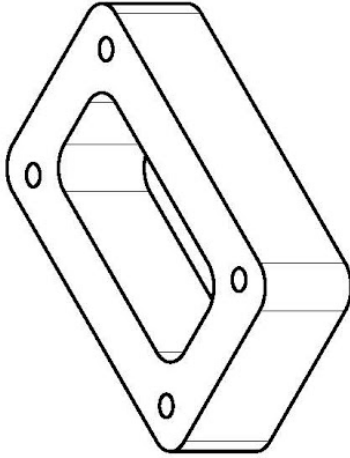
2

1

2

B

A



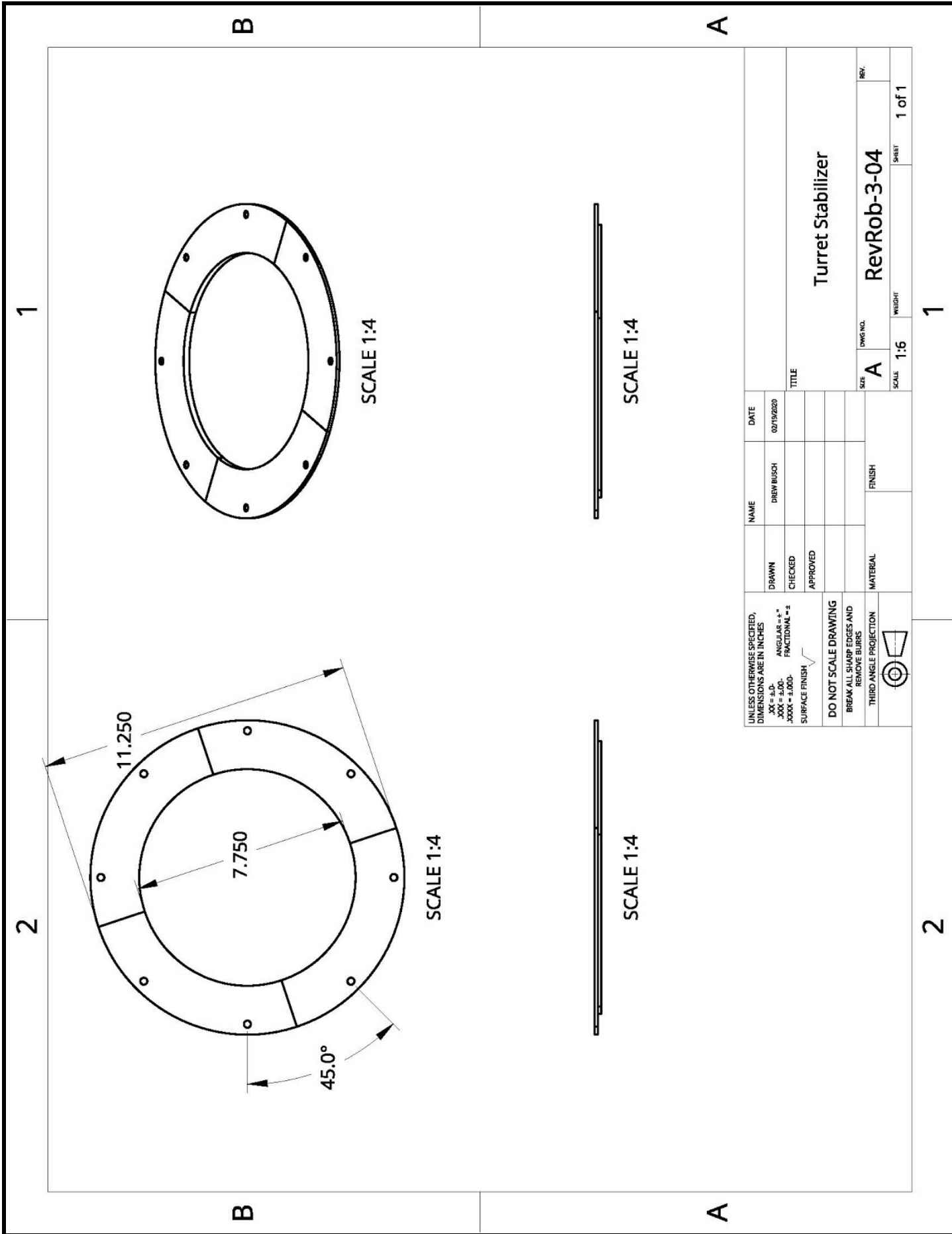
1

2

B

A

UNLESS OTHERWISE SPECIFIED, DIMENSIONS ARE IN INCHES .XX = ±.01 .XXX = ±.001 .XXXX = ±.0001 SURFACE FINISH		DATE	NAME	DATE	TITLE
DRAWN	CHECKED	APPROVED	DREW BUSCH	11/13/2019	Bevel Gear Spacer
DO NOT SCALE DRAWING BREAK ALL SHARP EDGES AND REMOVE BURRS			MATERIAL	FINISH	
THIRD ANGLE PROJECTION			SIZE <b>A</b> DWG NO. <b>RevRob-3-03</b> SHEET <b>1 of 1</b> SCALE <b>1:1</b> WEIGHT		



UNLESS OTHERWISE SPECIFIED, DIMENSIONS ARE IN INCHES		NAME	DATE
XX = ±.01	ANGULAR = ±°	DREW BUSCHI	02/19/2020
.XXX = ±.001	FRACTIONAL = ±/16		
SURFACE FINISH			
DO NOT SCALE DRAWING			
BREAK ALL SHARP EDGES AND REMOVE BURRS			
THIRD ANGLE PROJECTION			
DRAWN		TITLE	
CHECKED		Turret Stabilizer	
APPROVED		REV.	
MATERIAL		SIZE	DWG NO.
FINISH		A	RevRob-3-04
SCALE		1:6	WEIGHT
			1 of 1