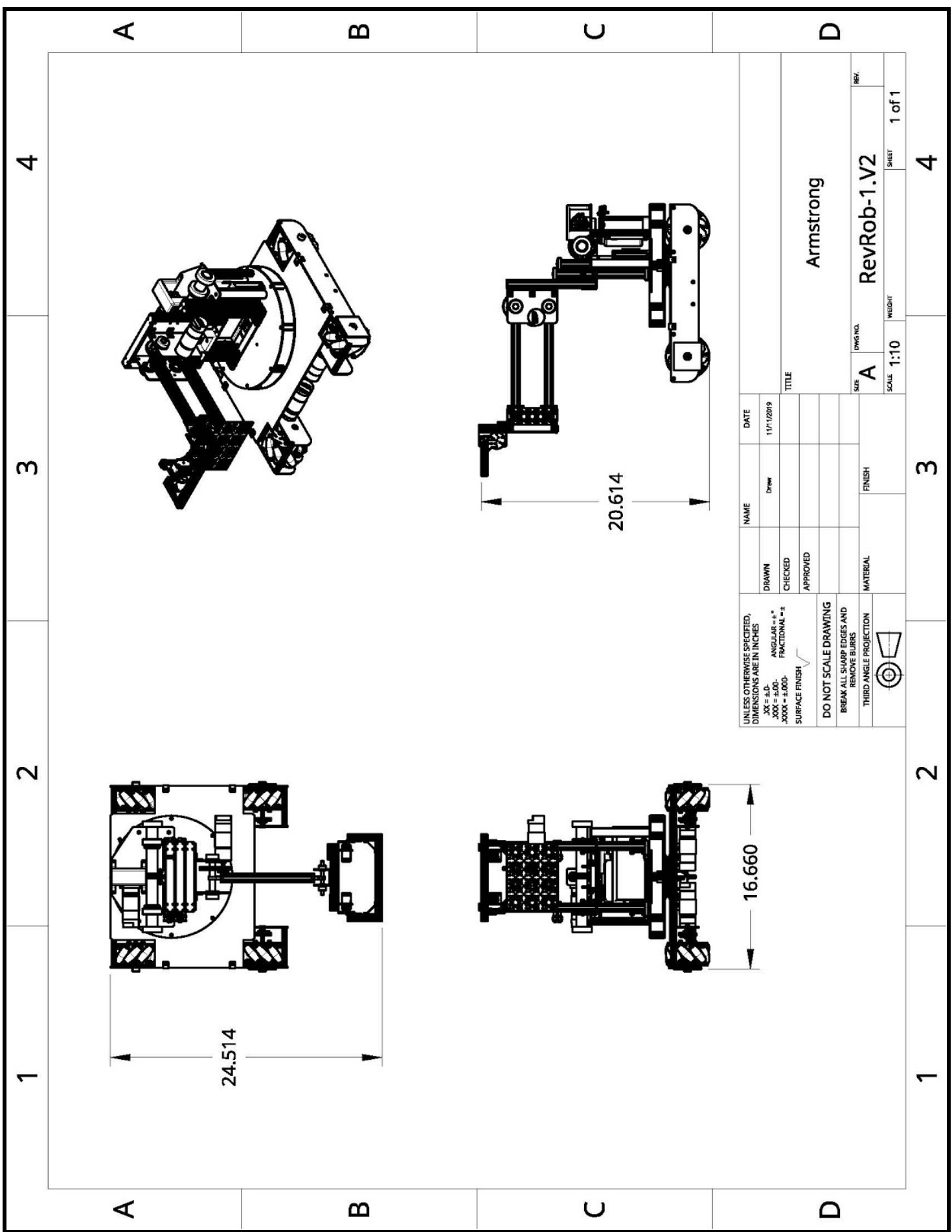


UNLESS OTHERWISE SPECIFIED, DIMENSIONS ARE IN INCHES		NAME	DATE
.XX = ±.01	ANGULAR - ±'	MGRP	11/11/2019
.XXX = ±.001	FRACTIONAL - ±'	DRAWN	
.XXXX = ±.0001		CHECKED	
SURFACE FINISH		APPROVED	
DO NOT SCALE DRAWING			
BREAK ALL SHARP EDGES AND REMOVE BURRS			
THIRD ANGLE PROJECTION			
		MATERIAL	FINISH
TITLE		ARMSTRONG	
SIZE	DWG NO.	REV	
A	RevRob-1	1 of 1	
SCALE	WEIGHT	SHEET	
1:10		4	



24.514

20.614

16.660

UNLESS OTHERWISE SPECIFIED, DIMENSIONS ARE IN INCHES		NAME	DATE
XX = 0	ANGULAR = °	Drew	11/1/2019
XXX = .00	FRACTIONAL = 1/2		
XXXX = ±.000			
SURFACE FINISH	APPROVED		TITLE
DO NOT SCALE DRAWING			Armstrong
BREAK ALL SHARP EDGES AND REMOVE BURRS			RevRob-1.V2
THIRD ANGLE PROJECTION	MATERIAL	FINISH	SCALE 1:10
			SIZE A
			DWG NO.
			REV.
			1 of 1

4

3

2

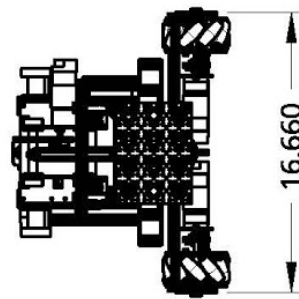
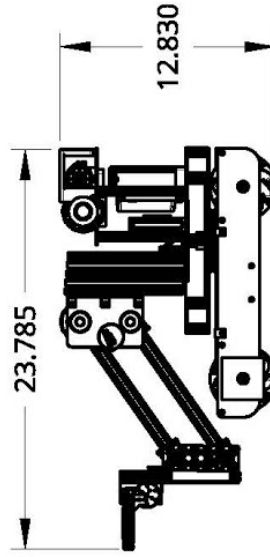
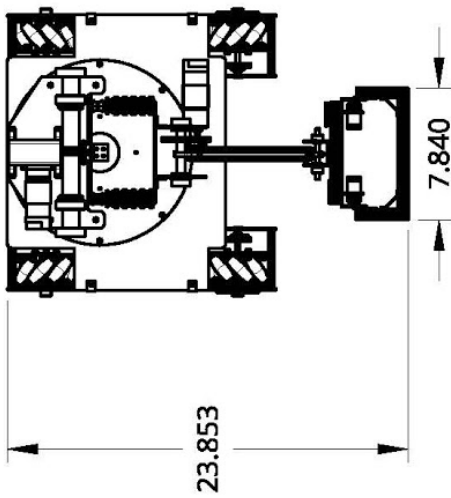
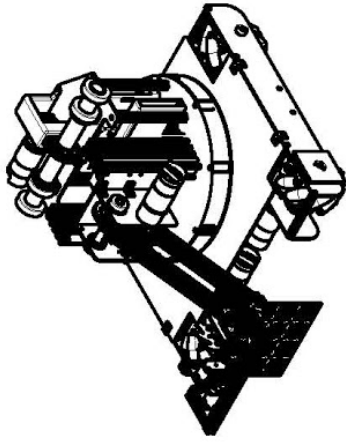
1

A

B

C

D



UNLESS OTHERWISE SPECIFIED, DIMENSIONS ARE IN INCHES .XX" = ±.01 .XXX" = ±.001 .XXXX" = ±.0001 SURFACE FINISH ✓		NAME	DATE	TITLE
DRAWN	Drew	11/11/2019		
CHECKED				
DO NOT SCALE DRAWING BREAK ALL SHARP EDGES AND REMOVE BURRS		APPROVED		
THIRD ANGLE PROJECTION		MATERIAL	FINISH	
		SIZE	DWG NO.	REV.
		A		1 of 1
		SCALE	1:10	WEIGHT
		Armstrong		
		RevRob-1.V3		

4

3

2

1

A

B

C

D