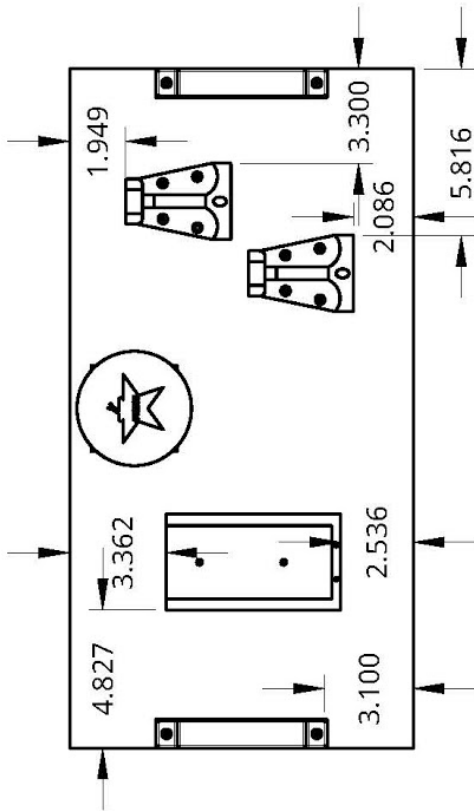
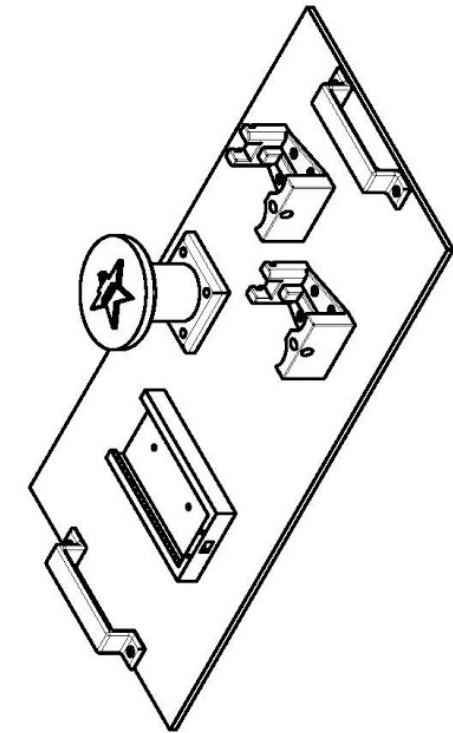


1

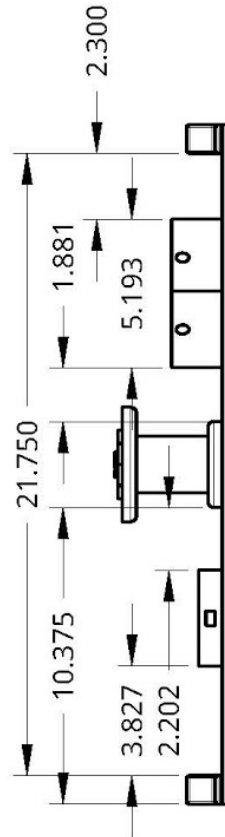
2

B



B

A



A

UNLESS OTHERWISE SPECIFIED, DIMENSIONS ARE IN INCHES XX = ±.01 XXX = ±.005 XXXX = ±.0002		NAME	DATE
DRAWN	MORP	01/31/2020	
CHECKED			
APPROVED			
SURFACE FINISH		TITLE	
DO NOT SCALE DRAWING BREAK ALL SHARP EDGES AND REMOVE BURRS		Driver Station	
THIRD ANGLE PROJECTION		SIZE	DRWG. NO.
		A	RevRob-8
		FINISH	REV.
		SCALE	WEIGHT
		1:6	1 of 1
			SHEET
			1

1

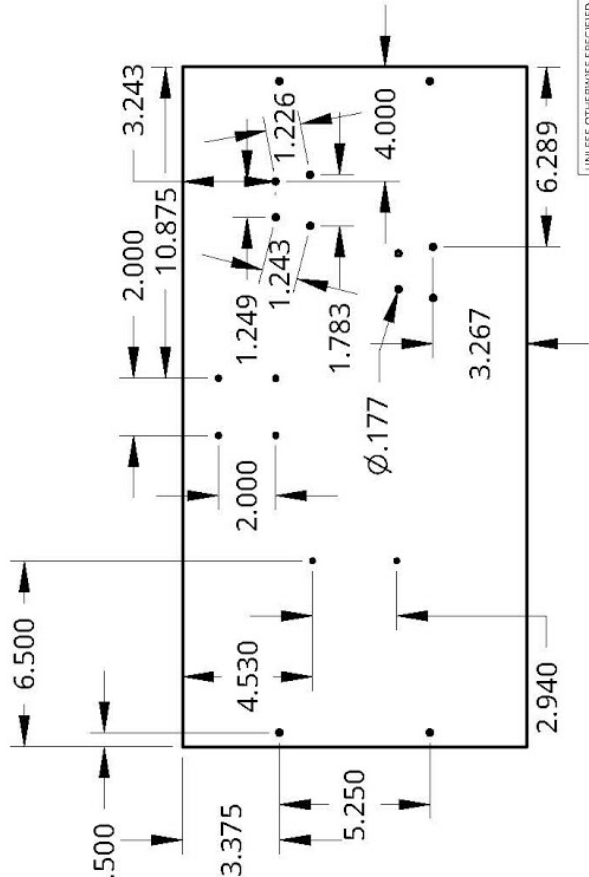
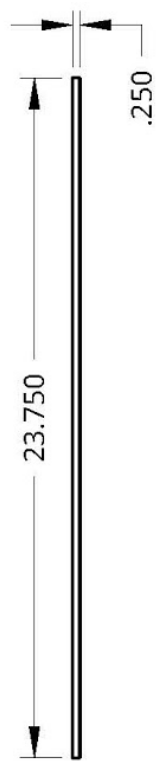
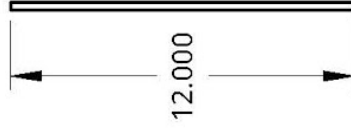
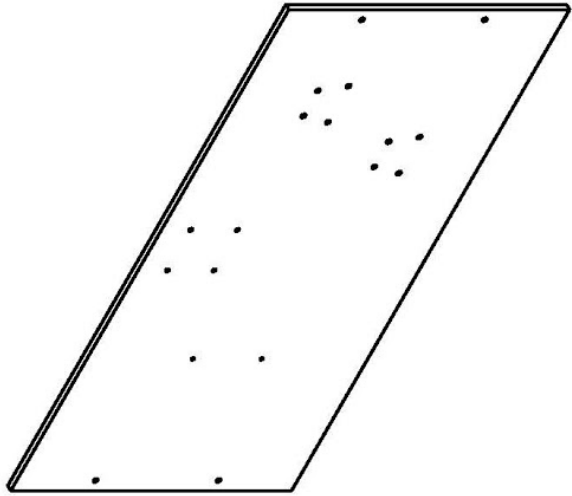
2

2

1

B

A



UNLESS OTHERWISE SPECIFIED, DIMENSIONS ARE IN INCHES		NAME	DATE
XX = 1/8"	ANGULAR - 1/4"	MORP	01/31/2020
XXX = 1/16"	FRACTIONAL - 1/4"	DRAWN	
XXXX = 1/32"		CHECKED	
	SURFACE FINISH	APPROVED	
DO NOT SCALE DRAWING		TITLE	
BREAK ALL SHARP EDGES AND REMOVE BURRS		Plywood Base	
THIRD ANGLE PROJECTION		SIZE	DRWG NO.
		A	RevRob-8-01
		SCALE	WEIGHT
		1:6	1 of 1

2

1

B

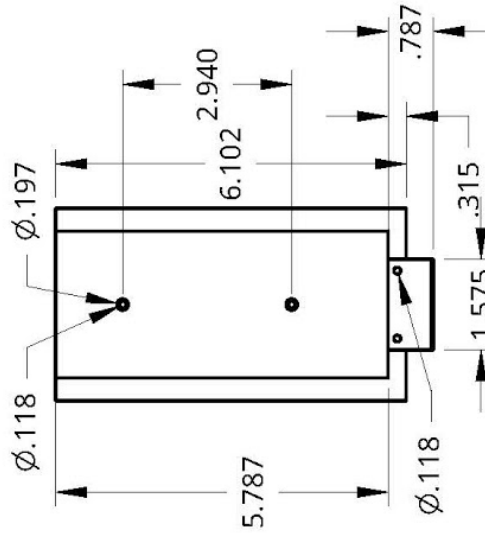
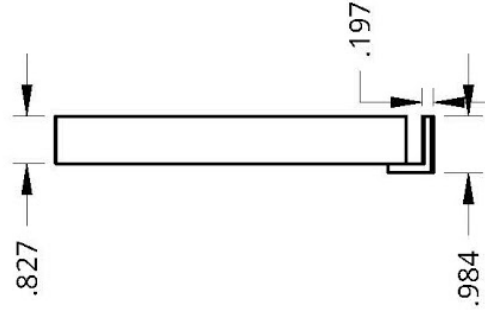
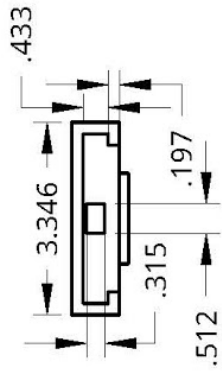
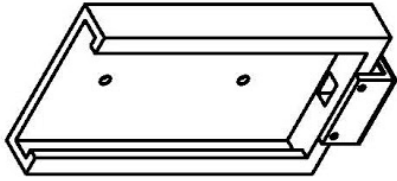
A

2

1

B

A



B

A

2

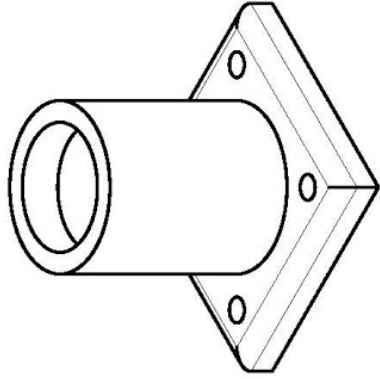
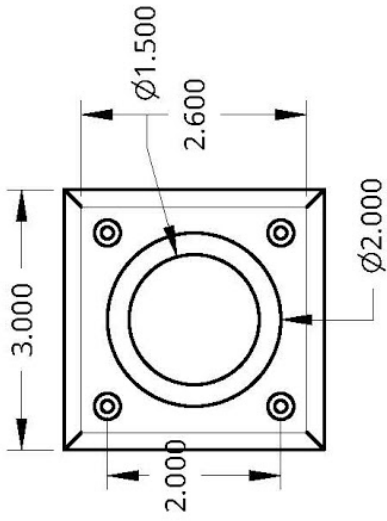
1

UNLESS OTHERWISE SPECIFIED, DIMENSIONS ARE IN INCHES XX = ±.01 XXX = ±.005 XXXX = ±.000		NAME	DATE
DRAWN	DREW BUSCH	03/19/2019	
CHECKED	Mark Hazen	2/19/19	TITLE
APPROVED	Kristi Hazen	2/19/19	Phone Holder
MATERIAL	FINISH	SIZE	DWG NO.
			RevRob-8-02
THIRD ANGLE PROJECTION		SCALE	1.3
		WEIGHT	1 of 1



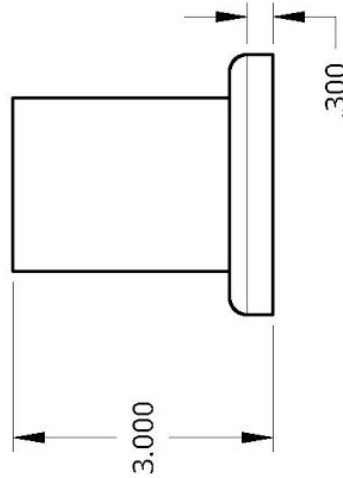
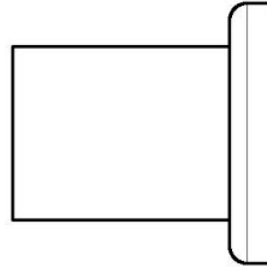
1

2



B

A



A

B

UNLESS OTHERWISE SPECIFIED, DIMENSIONS ARE IN INCHES .XX = ±.01 .XXX = ±.005 .XXXX = ±.0005 SURFACE FINISH		DRAWN	NAME	DATE
CHECKED	DRW BUSCH	01/21/2020		
APPROVED	TITLE			
Wire Management Post				
DO NOT SCALE DRAWING		MATERIAL		SIZE
BREAK ALL SHARP EDGES AND REMOVE BURRS		FINISH		A
THIRD ANGLE PROJECTION		THIRD ANGLE PROJECTION		SCALE
				1:2
		DWG NO.		REV.
		A		RevRob-8-03
		SHEET		1 of 1
		WEIGHT		

2

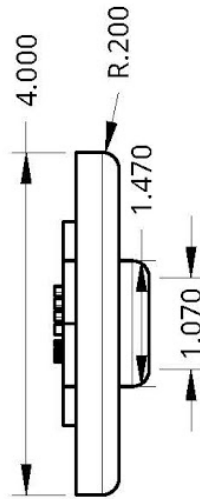
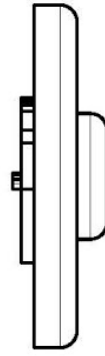
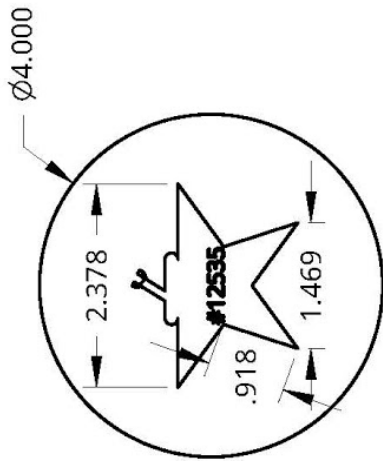
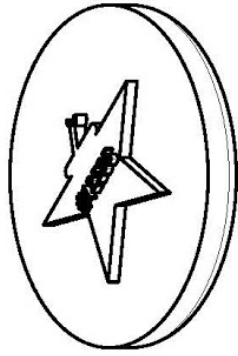
1

1

2

B

A



B

A

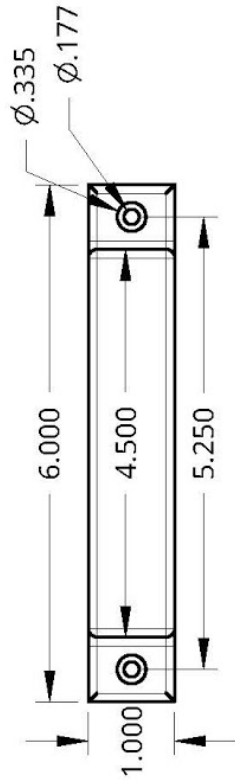
UNLESS OTHERWISE SPECIFIED, DIMENSIONS ARE IN INCHES XX = ±.0 XXX = ±.00 XXXX = ±.000 SURFACE FINISH ✓		NAME	DATE
DRAWN	DREW BUSCH	01/31/2020	
CHECKED			
APPROVED			
DO NOT SCALE DRAWING BREAK ALL SHARP EDGES AND REMOVE BLURRS THIRD ANGLE PROJECTION		TITLE	
		Wire Manegemt Cap	
MATERIAL		SIZE	REV.
		A	RevRob-8-04
FINISH		SCALE	SHEET
		1:2	1 of 1

1

2

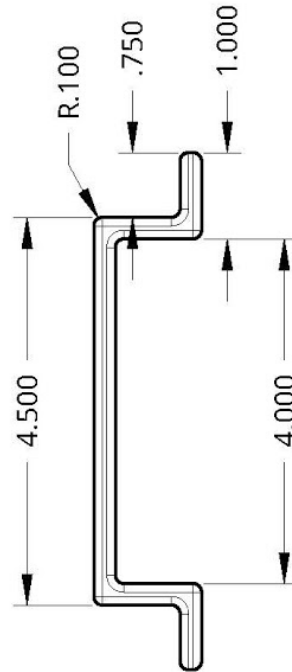
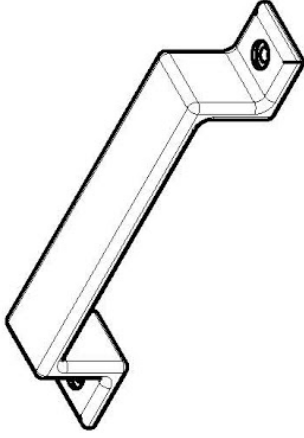
2

1



B

B



A

A

UNLESS OTHERWISE SPECIFIED, DIMENSIONS ARE IN INCHES		NAME	DATE
XXX = 2.0	ANGULAR - ±	DREW BUSCH	01/31/2020
XX = 1.0	FRACTIONAL - ±	CHECKED	
-XXXX = ±0.00		APPROVED	
SURFACE FINISH		TITLE	
DO NOT SCALE DRAWING		Driver Station Handle	
BREAK ALL SHARP EDGES AND REMOVE BURRS		SIZE	DRWG NO.
THIRD ANGLE PROJECTION		A	RevRob-8-05
MATERIAL		SCALE	WEIGHT
		1:2	1 of 1
FINISH		REV.	

2

1