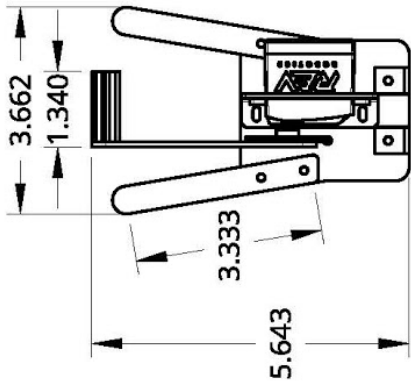
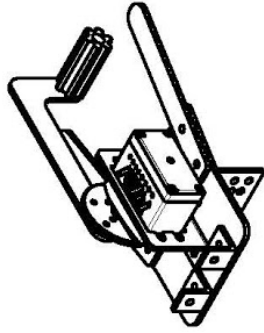


2



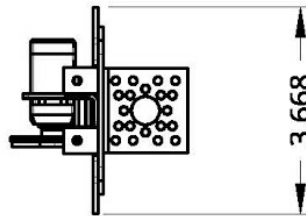
B

1



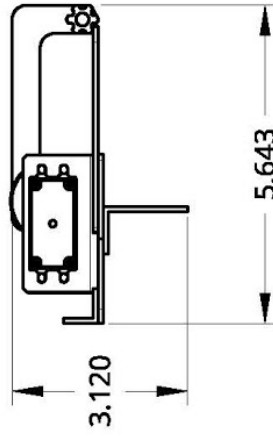
B

2



A

1

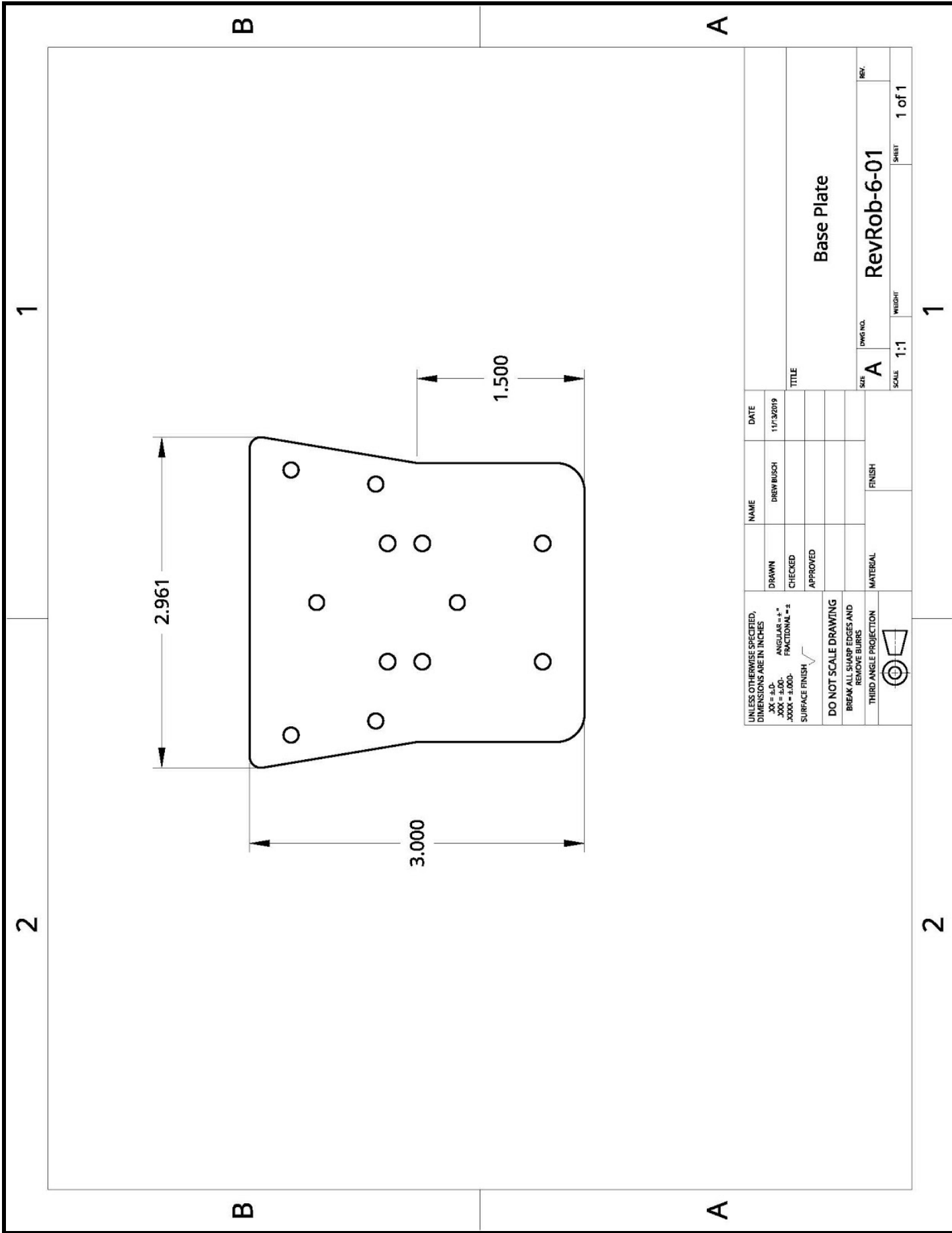


A

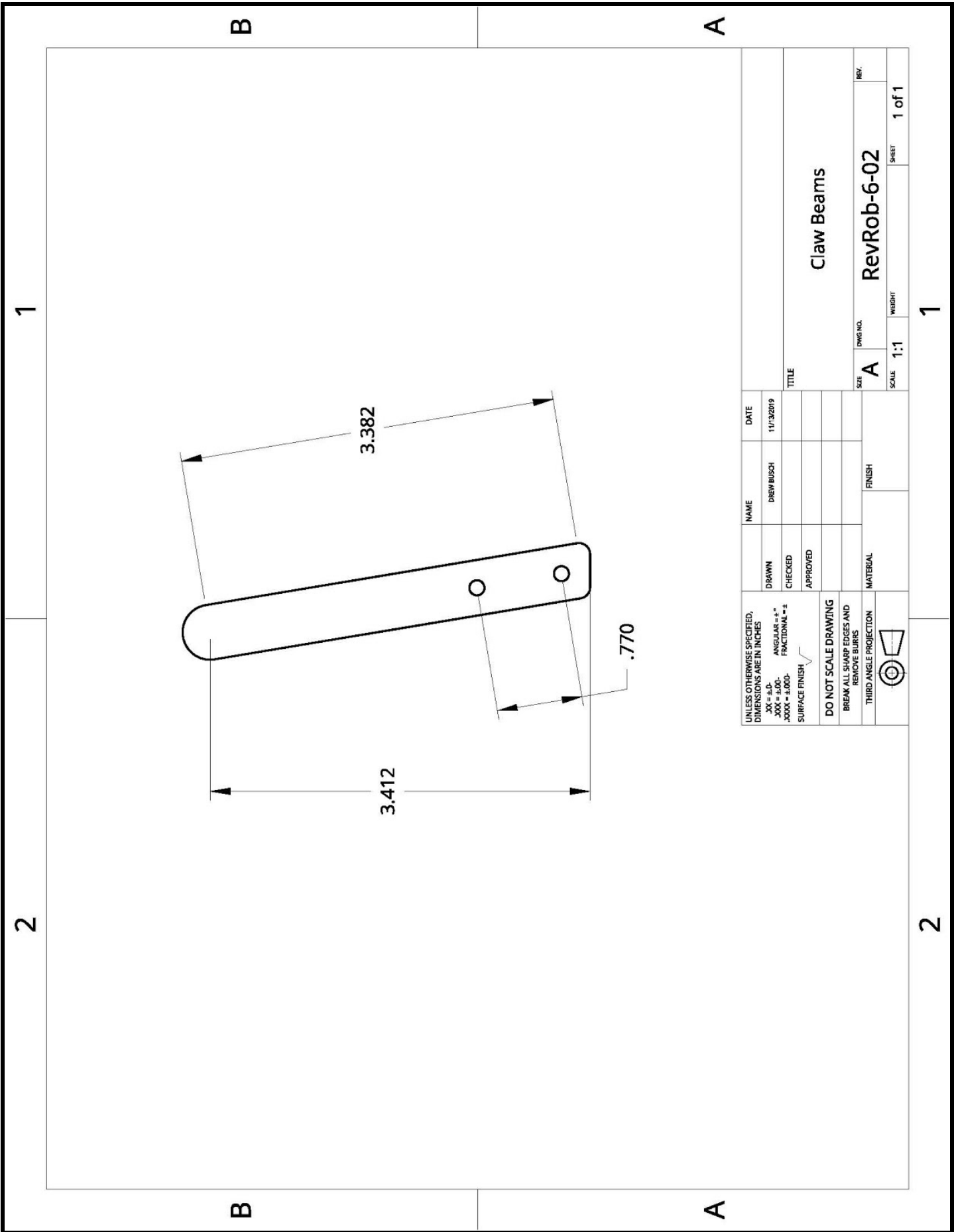
UNLESS OTHERWISE SPECIFIED, DIMENSIONS ARE IN INCHES X.X = .010 X.XX = .005 X.XXX = .0005 SURFACE FINISH ✓		DRAWN	NAME	DATE
ANGULAR = °	DREW BUSCH	11/3/2019		
FRACTIONAL = ⁄	CHECKED			
	APPROVED			
DO NOT SCALE DRAWING BREAK ALL SHARP EDGES AND REMOVE BURRS	MATERIAL	FINISH	TITLE	
THIRD ANGLE PROJECTION			Claw	
			SIZE	DWG NO.
			A	
			SCALE	WEIGHT
			1:3	
				SHEET
				1 of 1

2

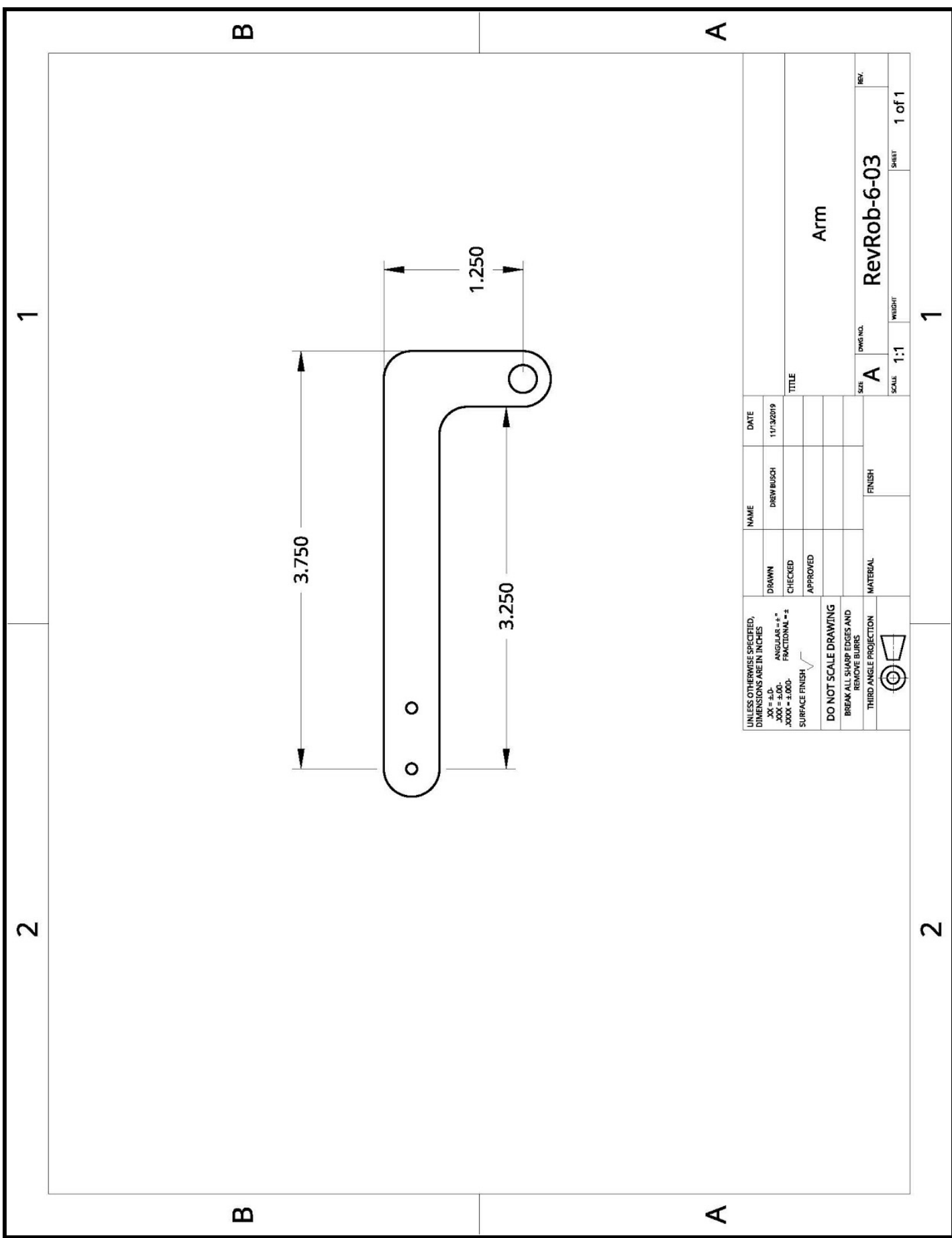
1



UNLESS OTHERWISE SPECIFIED, DIMENSIONS ARE IN INCHES		NAME	DATE
XX = ±.0	ANGULAR ±°	DREW BUSCH	11/13/2019
.XXX = ±.000	FRACTIONAL ±/32	DRAWN	
.XXXX = ±.0000		CHECKED	
SURFACE FINISH		APPROVED	
TITLE			
Base Plate			
DO NOT SCALE DRAWING	MATERIAL	FINISH	SIZE
BREAK ALL SHARP EDGES AND REMOVE BURRS			A
THIRD ANGLE PROJECTION			DWG NO.
			RevRob-6-01
			SCALE
			1:1
			WEIGHT
			1 of 1

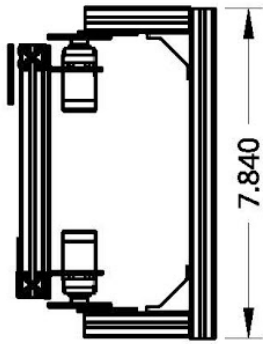


UNLESS OTHERWISE SPECIFIED, DIMENSIONS ARE IN INCHES .XX = ±.01 .XXX = ±.001 .XXXX = ±.0001 SURFACE FINISH		NAME	DATE
DRAWN	DREW BUSCH	11/13/2019	
CHECKED			
APPROVED			
DO NOT SCALE DRAWING BREAK ALL SHARP EDGES AND REMOVE BURRS		TITLE	
THIRD ANGLE PROJECTION		Claw Beams	
MATERIAL		SIZE	REV.
		A	
FINISH		DWG NO.	
		1:1	RevRob-6-02
		SCALE	SHEET
		1:1	1 of 1
		WEIGHT	



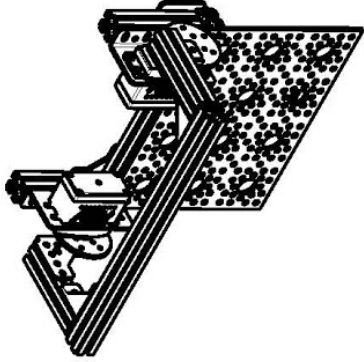
UNLESS OTHERWISE SPECIFIED, DIMENSIONS ARE IN INCHES .XX = ±.01- .XXX = ±.001- .XXXX = ±.0001- SURFACE FINISH		NAME	DATE	TITLE
DRAWN	DREW BUSCH	11/13/2019	SIZE	
CHECKED			SCALE	
APPROVED			WEIGHT	REV.
DO NOT SCALE DRAWING BREAK ALL SHARP EDGES AND REMOVE BURRS		MATERIAL	FINISH	1 of 1
THIRD ANGLE PROJECTION				
		A		RevRob-6-03
		1:1		1 of 1

2

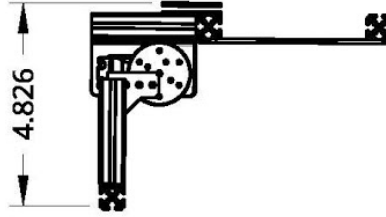


B

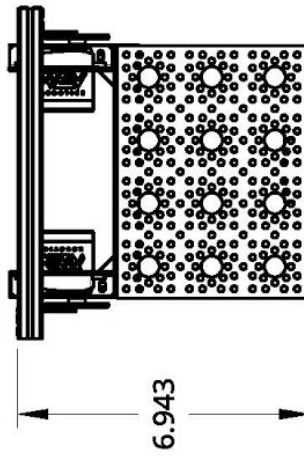
1



B



A



1

UNLESS OTHERWISE SPECIFIED, DIMENSIONS ARE IN INCHES		NAME	DATE
.XX = ±.01	ANGULAR = ±°	DREW/BUSCH	01/07/2020
.XXX = ±.001	FRACTIONAL = ±	DRAWN	
.XXXX = ±.0001		CHECKED	
SURFACE FINISH		APPROVED	
DO NOT SCALE DRAWING	TITLE		
BREAK ALL SHARP EDGES AND REMOVE BURRS	Claw		
THIRD ANGLE PROJECTION	SIZE	DWG NO.	REV.
	A		
	SCALE	WEIGHT	SHEET
	1:4		1 of 1

2

1