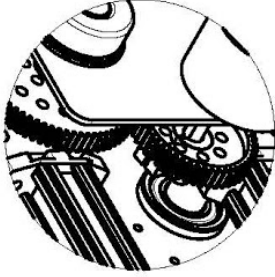


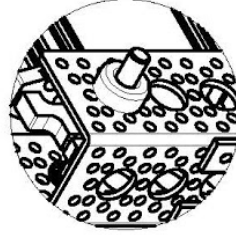
1

B

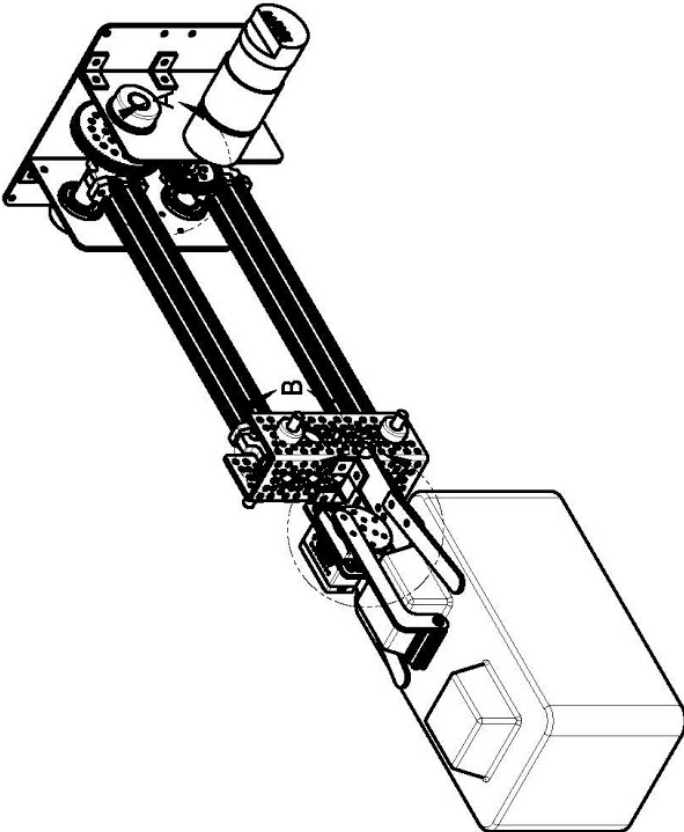
A



DETAIL A
SCALE 1:2



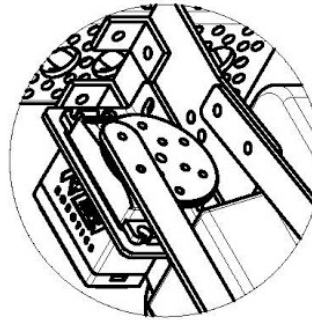
DETAIL B
SCALE 1:2



2

B

A



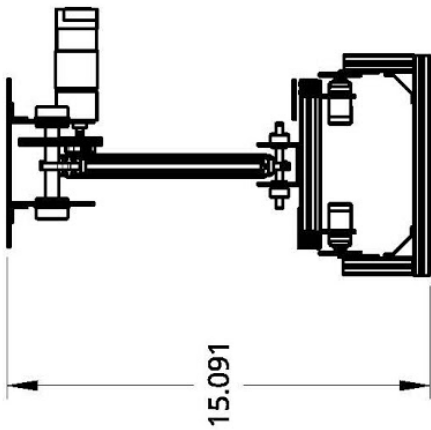
DETAIL C
SCALE 1:2

1

2

| | | | |
|-----------|-------|-------|--------------|
| PROJ. NO. | SCALE | SHEET | TOTAL SHEETS |
| | A | 1:4 | 2 of 2 |

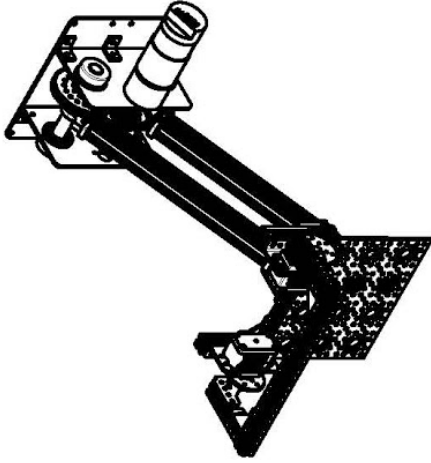
2



SCALE 1:6

B

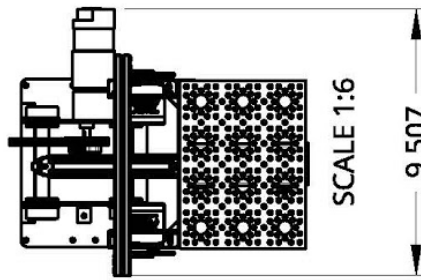
1



SCALE 1:6

B

2



SCALE 1:6

A

SCALE 1:6

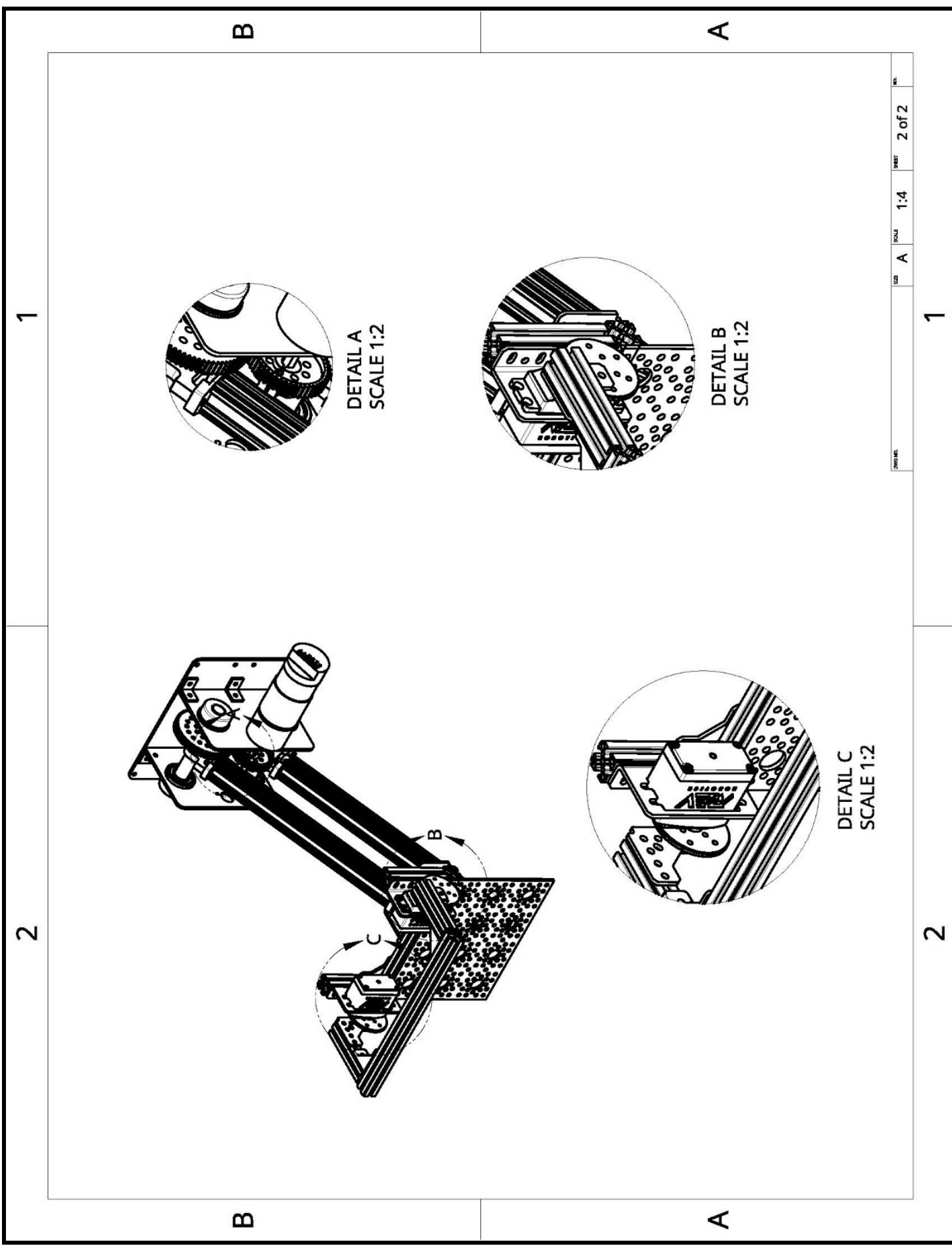
A

| | | | | |
|---|----------|------------|------------|-------------|
| UNLESS OTHERWISE SPECIFIED, DIMENSIONS ARE IN INCHES .XX" = ±.01" .XXX" = ±.005" .XXXX" = ±.0005" SURFACE FINISH | DRAWN | NAME | DATE | TITLE |
| | CHECKED | DREW BUSCH | 01/07/2020 | |
| | APPROVED | | | |
| DO NOT SCALE DRAWING BREAK ALL SHARP EDGES AND REMOVE BURRS | MATERIAL | FINISH | ARM | |
| THIRD ANGLE PROJECTION | | | SIZE | DWG NO. |
| | | | A | RevRob-5.V2 |
| | | | SCALE | 1:8 |
| | | | SHEET | 1 of 2 |
| | | | REV. | |

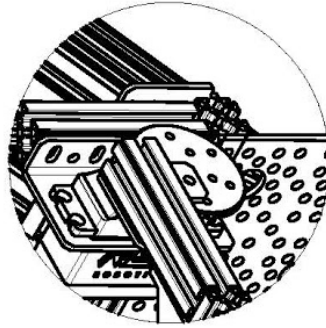
2

1

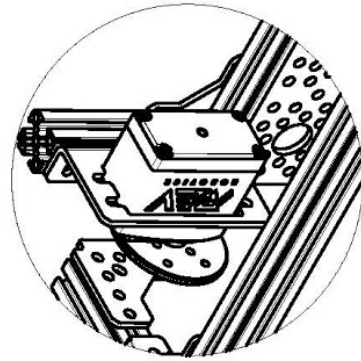
A



DETAIL A
SCALE 1:2



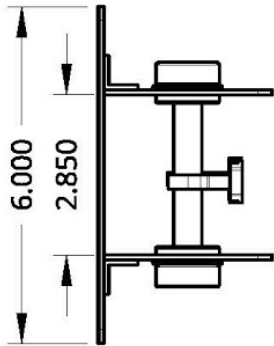
DETAIL B
SCALE 1:2



DETAIL C
SCALE 1:2

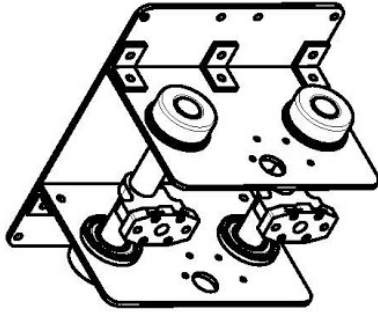
| | | | |
|------|-------|-------|--------|
| DATE | SCALE | SHEET | NO. |
| | A | 1:4 | 2 of 2 |

2

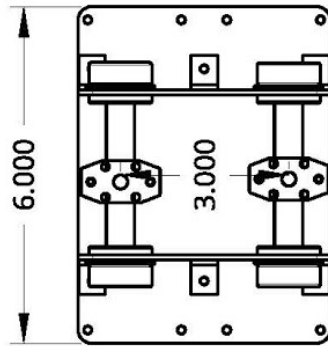


B

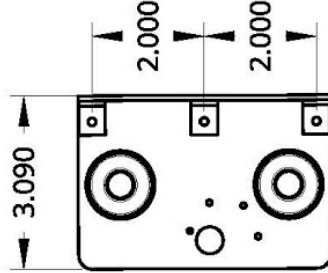
1



B



A



A

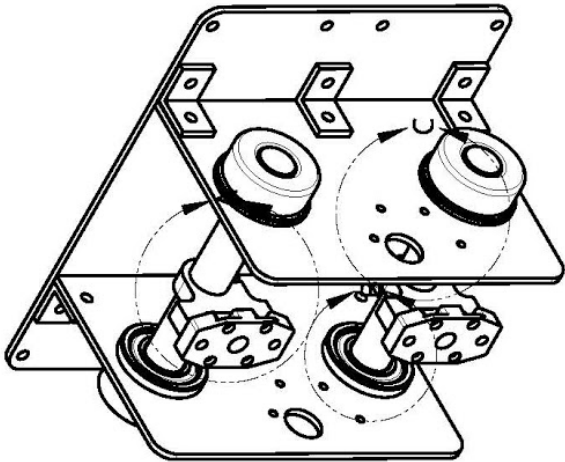
| | | | | |
|---|------------------------|-------------|-------------|--------|
| UNLESS OTHERWISE SPECIFIED, DIMENSIONS ARE IN INCHES .XX = ±.01 .XXX = ±.005 .XXXX = ±.0005 SURFACE FINISH | DATE | 11/14/2019 | TITLE | |
| | NAME | DREW/BUSCHI | Carriage | |
| | DRAWN | | SIZE | A |
| CHECKED | | DWG NO. | RevRob-5-01 | REV. |
| APPROVED | | MATERIAL | | 1 of 2 |
| DO NOT SCALE DRAWING BREAK ALL SHARP EDGES AND REMOVE BURRS | THIRD ANGLE PROJECTION | FINISH | SCALE | 1:3 |
| | | | WEIGHT | |

2

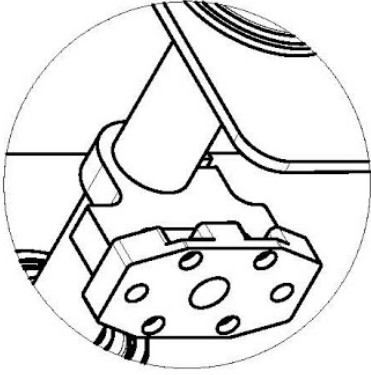
1

1

2

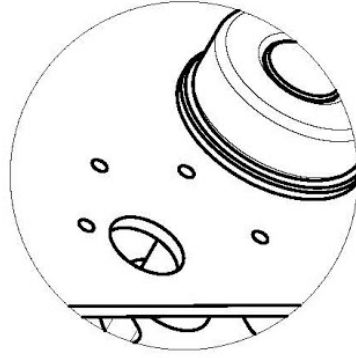


B



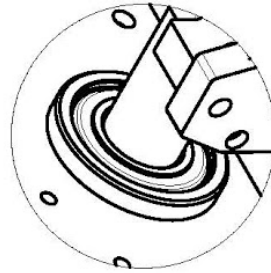
DETAIL A
SCALE 1:1

A



DETAIL C
SCALE 1:1

B



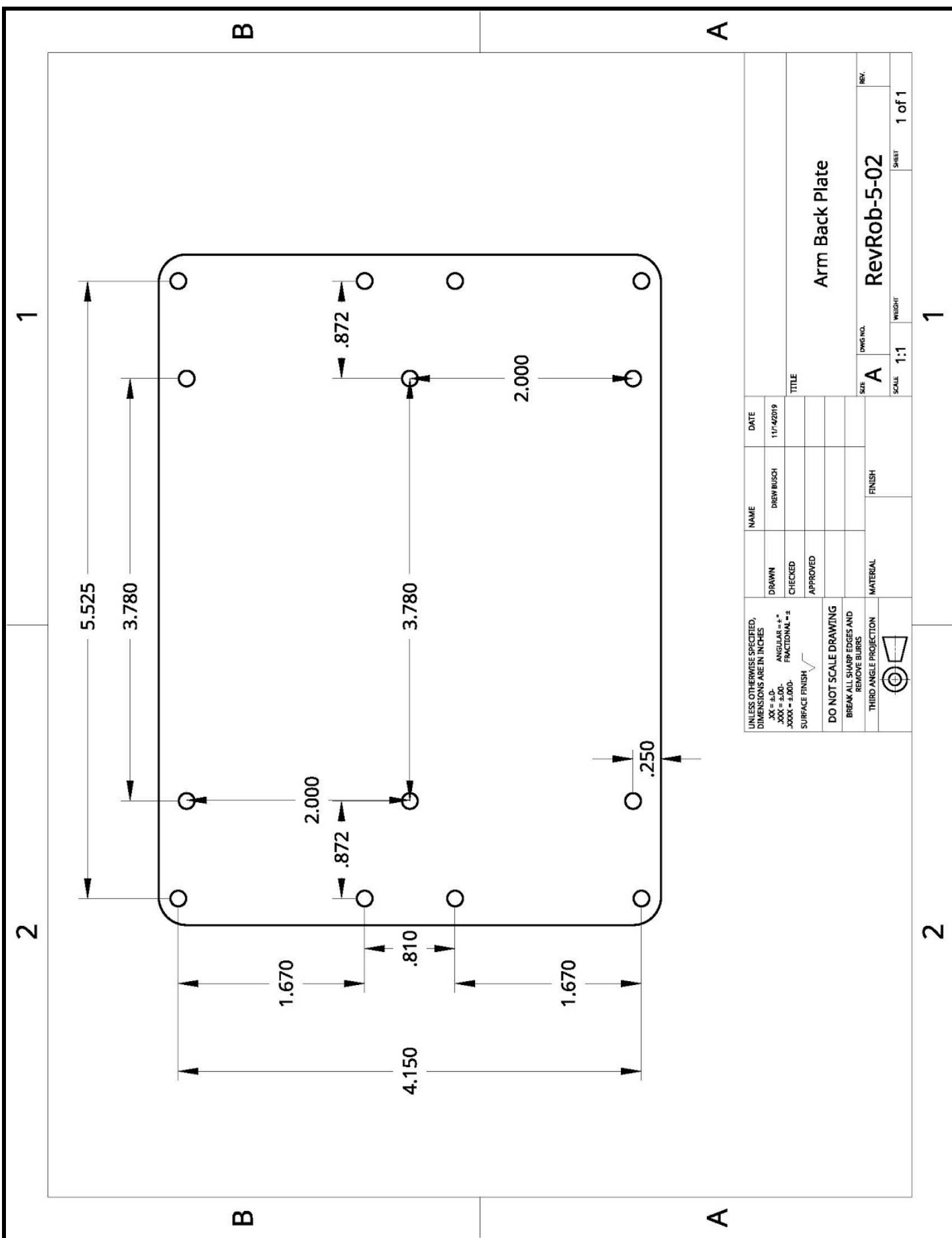
DETAIL B
SCALE 1:1

A

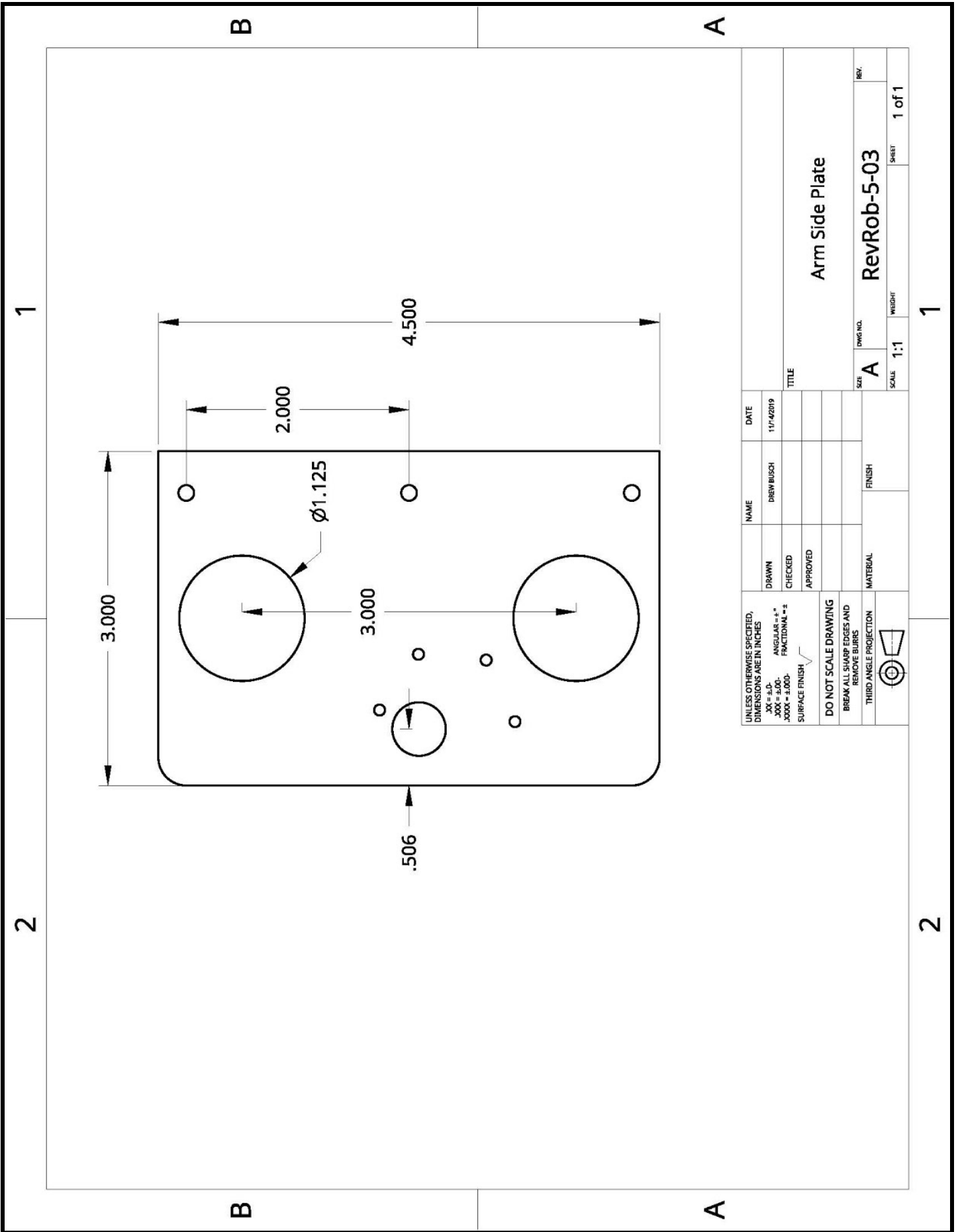
1

2

| | | | |
|-----------|-------|-------|--------|
| PROJ. NO. | SCALE | SHEET | NO. |
| | A | 1:2 | 2 of 2 |



| | | | |
|--|----------------|----------------|-------------|
| UNLESS OTHERWISE SPECIFIED, DIMENSIONS ARE IN INCHES | | NAME | DATE |
| XX = ±.01 | ANGULAR = ±° | DREW BUSCI | 11/14/2019 |
| .XXX = ±.001 | FRACTIONAL = ± | CHECKED | |
| SURFACE FINISH | | APPROVED | |
| DO NOT SCALE DRAWING | | TITLE | |
| BREAK ALL SHARP EDGES AND REMOVE BURRS | | Arm Back Plate | |
| THIRD ANGLE PROJECTION | | SIZE | DWG NO. |
| | | A | RevRob-5-02 |
| | | SCALE | WEIGHT |
| | | 1:1 | 1 of 1 |



| | | | |
|--|-------------|----------------|--------|
| UNLESS OTHERWISE SPECIFIED, DIMENSIONS ARE IN INCHES .XX = ±.01 .XXX = ±.005 .XXXX = ±.0005 SURFACE FINISH | | NAME | DATE |
| DRAWN | DREW/BUSCHI | 11/14/2019 | |
| CHECKED | | | |
| APPROVED | | | |
| DO NOT SCALE DRAWING BREAK ALL SHARP EDGES AND REMOVE BURRS THIRD ANGLE PROJECTION | | TITLE | |
| | | Arm Side Plate | |
| SIZE | DWG NO. | REV. | |
| A | | RevRob-5-03 | |
| SCALE | 1:1 | WEIGHT | 1 of 1 |
| | | SHEET | |